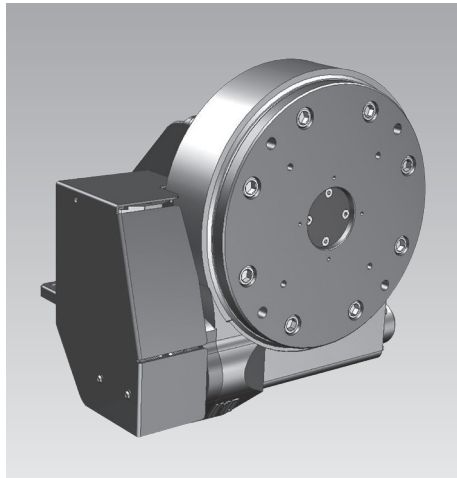




Rotating Module - Horizontal Axis Strong

Max. torque 500 Nm, max. bending moment 4,000 Nm
electrical operation



Advantages

- Rotating in both directions infinitely
- Index – electrical
- Low-backlash gear
- Self-locking in any position
- Compact design
- Sturdy design
- Ergonomic working
- Safe and quick handling in assembly processes
- Long service life
- Rotary coupling optional
- Variants with rotary couplings are available on request

Principal use

- Assembly of automotive parts
- Motor assembly
- Gear assembly
- Pump construction

Materials and surfaces

Gearbox housing	steel, black-lacquered
Connecting plate	aluminium EN AW-7075, black anodised
Mounting plate	steel, black-lacquered
Motor gear box	zinc DG, bright
Bonnet and protective cover	steel sheet, black-lacquered
Control module	plastic, grey

Installation

The rotating module has a double interface 140x140 mm *moduhub* and can be mounted by 8 screws M10 onto an existing fixture (for example on a lifting module TwinStrong). The user's fixtures can be fixed to the rotating plate at a 200x200 interface using 4 screws M16. Power is supplied via the separately available control module as per data sheet M 8.202. The electric control is integrated.

Description

Rotating modules are used in assembly and handling processes to transform electrical energy into a rotating movement. When using the rotating module, component parts can be rotated rationally, quickly and safely and can be assembled ergonomically from all sides.

The strongly reduced worm gear allows high holding torques in standstill in any position. The rotating module is designed for a long service life. The electronically commutated DC motor is virtually wear-free.

Operation

Rotating with hand panels or foot switches as per data sheet M 8.203 is triggered by touch control. As long as the push-button is pressed, a 90°-rotation is effected, when releasing the push-button, the movement stops immediately.

Optionally also 45°, 60° or 180° rotation adjustable.

By pressing both push-buttons at the same time for 3 seconds, the off-position 0° will be stored.

Delivery

The rotating modules are delivered ready for connection. The connecting cables from the rotating module to the control module are included in the delivery.

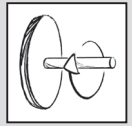
Operating elements and control modules can be ordered separately as an accessory.

The mounting bracket shown is already included in our delivery.

The mounting bracket 6313 135 (accessory) is specially adapted to the hole pattern of the lifting module Solid (M 4.402). The rotating module is thus raised 115 mm and moved back. The rotating plate is almost flush with the front edge of the top plate of the lifting module.

moduhub

Rotating module – horizontal axis DMHe 4000 Strong
Part no. 6500016



Technical data

Max. load:	depending on the bending moment
Max. torque:	500 Nm
Max. holding torque	2,000 Nm
Max. bending moment:	4,000 Nm
Angle of rotation:	infinite
Rotation:	any
Index:	90° standard optionally 45°/60°/180°

Operations

- Foot switch
- Hand panel



Combinable with the modules

Lifting modules

- TwinStrong as per data sheet M 4.501
- Solid as per data sheet M 4.402



moduhub interfaces

- Mounting plate double 140 x 140
- Rotating plate 140 x 140 and 200 x 200 (4 x M16)

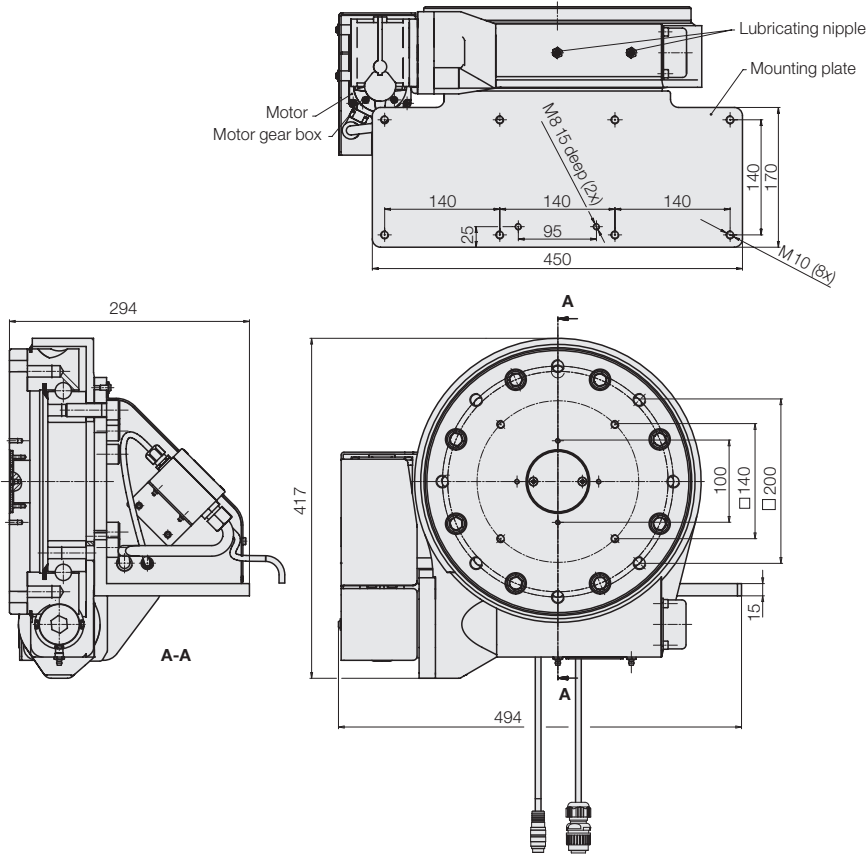
Rotating modules with media ducts have 2 centring bushings

Accessories

- Electrical operating elements as per data sheet M 8.203
- Control modules as per data sheet M 8.202
- Mounting bracket (specially for lifting module Solid)
Part no. 6313 135

Technical data Dimensions

Dimensions

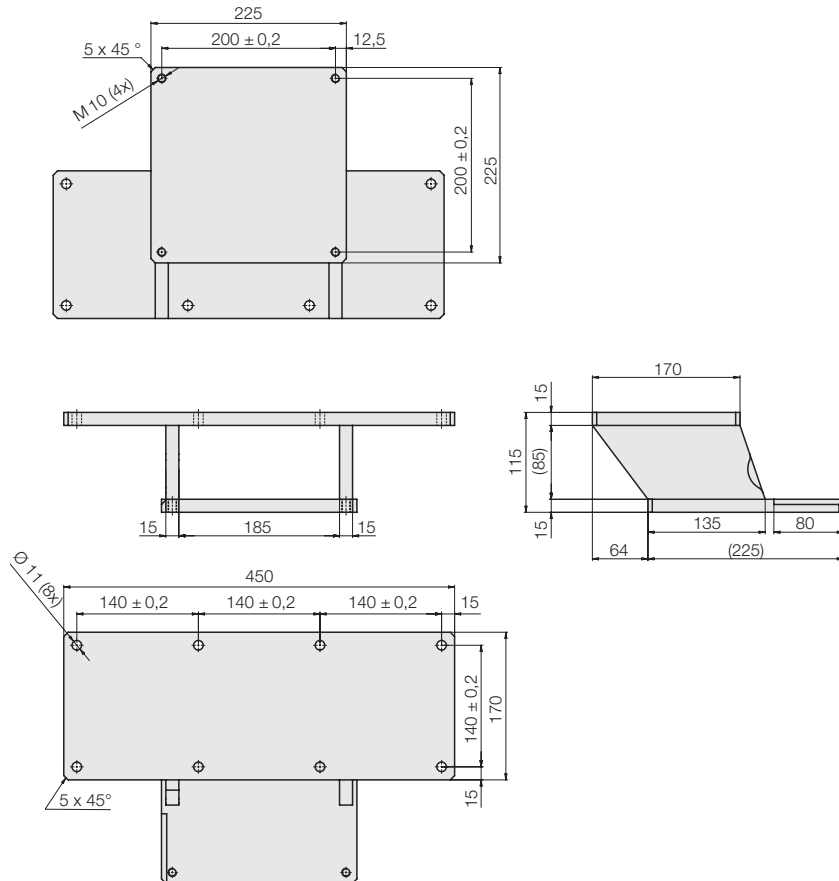


Technical data

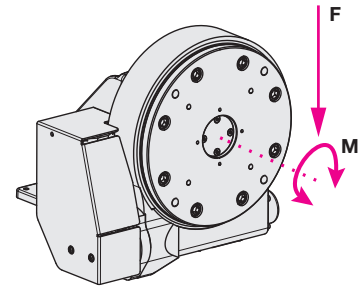
Max. bending moment F [Nm]	4,000
Max. torque M, driven [Nm]	500
Max. holding torque (static with switched off drive) [Nm]	2,000
Rotation angle	infinite
Direction of rotation	any
Indexing angle, standard	4 x 90° preset
optional	8 x 45°, 6 x 60° 2 x 180°
Speed of rotation, adjustable	1 ... 4 / min
Max. cycle time (ED)	25%, 60s ON
Code class	IP50
Weight, approx. [kg]	75
Current consumption with nominal moment [A]	24
Supply voltage motor [VDC]	48...56
Supply voltage control [VDC]	24...30

Accessories

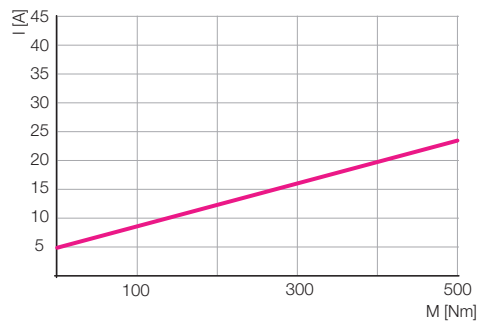
Mounting bracket Part no. 6313135



Maximum admissible load



Current consumption



Tolerance of performance data $\pm 20\%$ at room temperature of 20°C and run-in mode