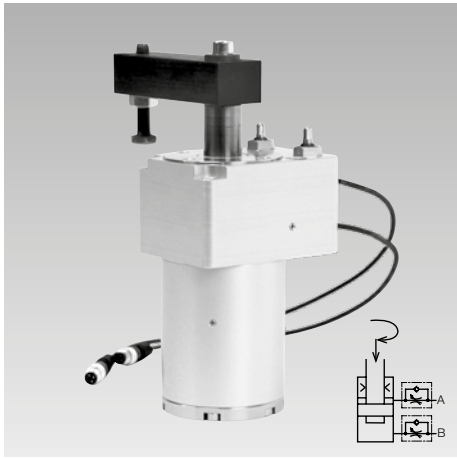


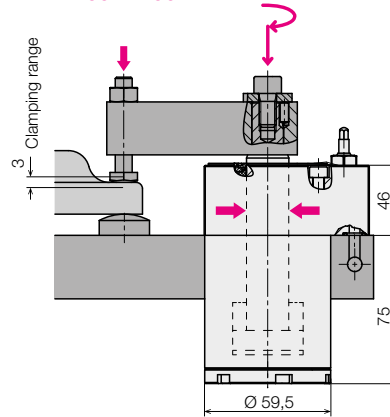


Pneumatic Swing Clamps with Locking

Top flange, double acting, operating pressure range 4...6 bar
electrical or pneumatic position monitoring optional



Clamping and holding force
400 ... 700 N



100 % of the clamping force even after
disconnecting the energy supply

Further advantages

- Automatic locking in clamping range
- Sturdy swing mechanism
- Clamping arm indexing
- Swing angle selectable
- Swing speed adjustable optional
- Electrical or pneumatic position monitoring optional
- Metallic wiper optional
- Manifold-mounting connection with drilled channels
- Mounting position: any

Application

Pneumatic swing clamps with locking maintain the clamping force

- in the case of a pressure drop in the pneumatic line;
- if the supply line has to be uncoupled in clamped mode, e.g. for clamping pallets.

Description

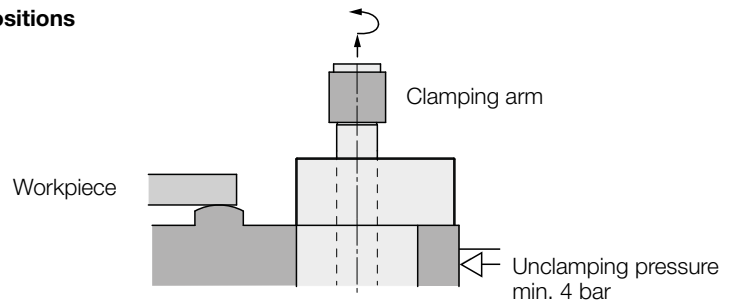
The pneumatic swing clamp is a pull-type cylinder where a part of the total stroke is used to swing the piston.

The piston is automatically locked when the workpiece height is within the designated clamping range. The pneumatic line can be depressurised or disconnected.

The piston is unlocked by pressurising the unclamping line.

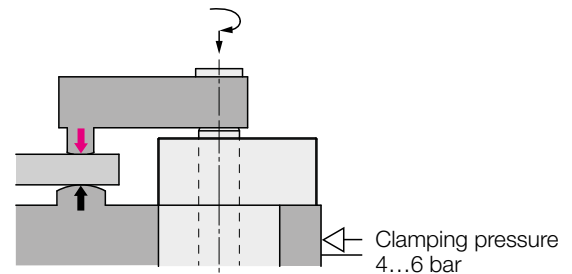
Switching positions

Unclamped



Clamped

Clamping force
= 400 ... 700 N
Reaction force



Options

Swing direction and swing angle

Clockwise or counterclockwise swing motion from 0 to 90° in 5° steps.

Metallic wiper

protects the FKM wiper from mechanical damage.

Fixed throttles installed

Adjustable flow control valves in the flange

reduce the swing speed

- if the flow rate is too high;
- to improve synchronization when several swing clamps are connected in parallel;
- to delay individual swing clamps depending on the sequence;
- for special clamping arms with larger mass.

Electrical position monitoring

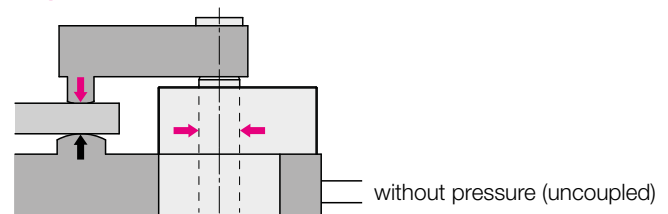
of the unclamping position and the clamping range.

Pneumatic position monitoring

of the unclamping position and the clamping range.

Clamped, locked and without pressure

Clamping force
= 400 ... 700 N
Reaction force
or
admissible holding
force



100 % of the clamping force is maintained

Important notes!

Pneumatic swing clamps are intended for industrial use only.

In the effective area of the piston and the clamping arm, there is the danger of crushing. The manufacturer of the fixture or the machine is obliged to provide effective protection devices.