



Hydraulic Pump
manually operated,
max. operating pressure 100, 200 and 500 bar



Version with foot lever, base and pressure gauge
In conjunction with our hydraulic clamping elements workpieces can be economically clamped with these clamping pumps.

In addition, these pumps can be used for lifting of loads, for adjusting and locking of tables as well as other operating processes.

The special advantages of these pumps are:

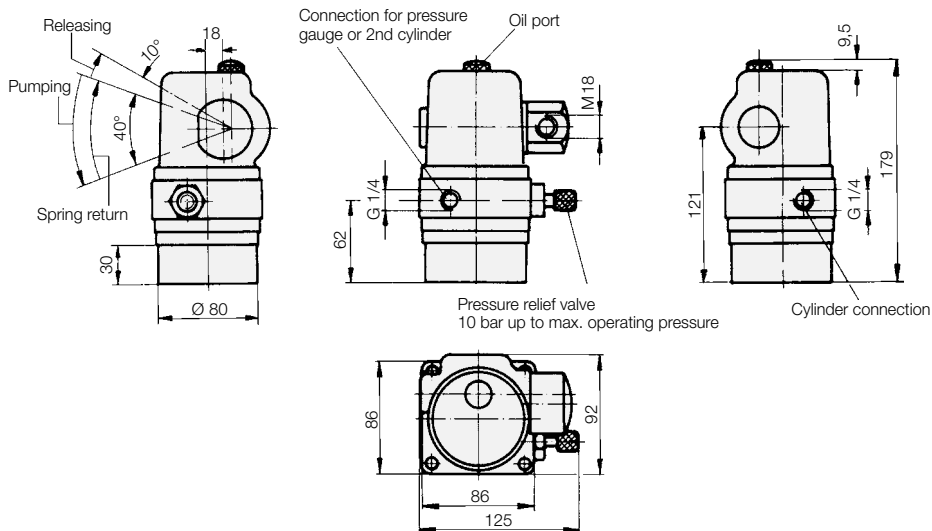
- choice of hand or foot operation
- pumping and releasing with the same lever
- continuously adjustable pressure relief valve
- metallic sealing at the pump piston, thus practically wear-free
- compact and self-contained design

Delivery without accessories.

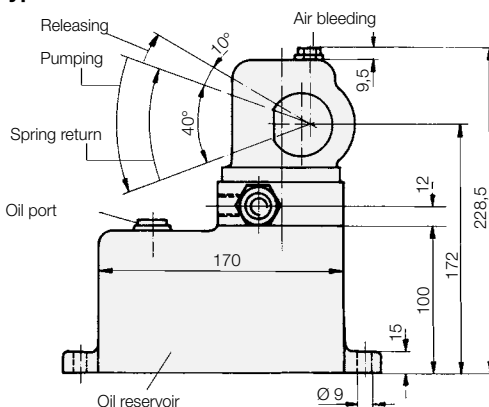
Hydraulic pumps with safety hand/foot lever are supplied completely assembled.

Accessories see page 2

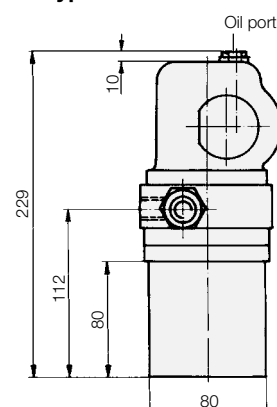
Types 8804 006, 8805 006, 8816 006



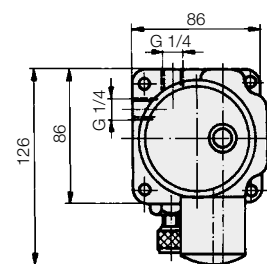
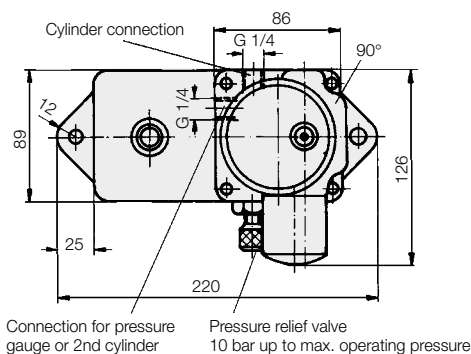
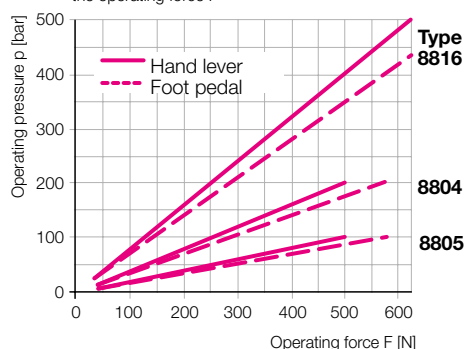
Types 8806 006 und 8807 006



Type 8808 006



Obtainable operating pressure p as a function of the operating force F



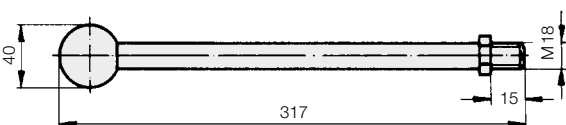
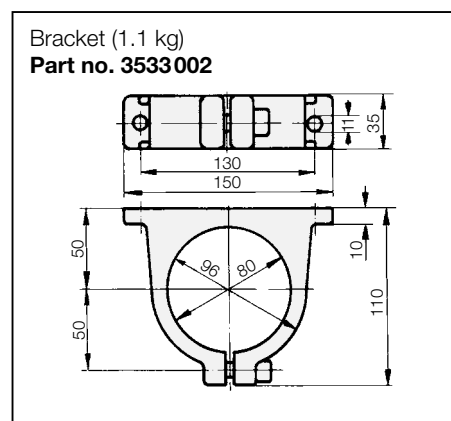
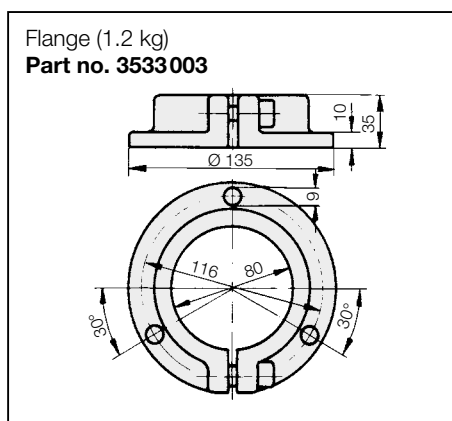
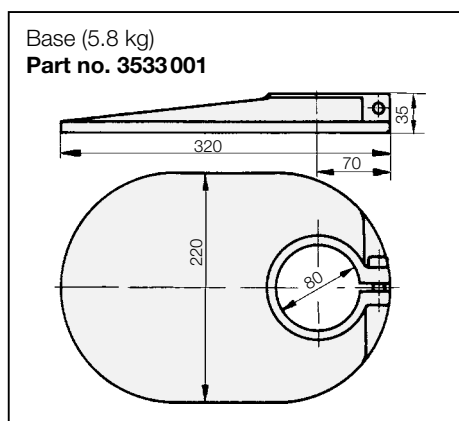
Max. operating pressure	[bar]	200	100	500	100	200	200
Oil volume V	[cm ³]	300	300	300	970	970	400
Oil volume, usable	[cm ³]	150	150	150	750	750	250
Displacement per stroke	[cm ³]	4	8	2	8	4	4
Weight	[kg]	6.1	6.1	6.1	9.5	9.5	6.4
Part no. (without accessories)		8804 006	8805 006	8816 006	8806 006	8807 006	8808 006

Accessories

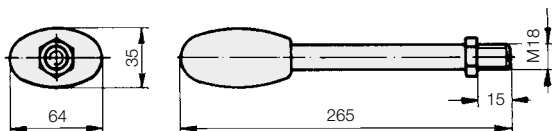
The following accessories with connection fittings for the hydraulic pump must be ordered separately:

For hydraulic pump		8804 006	8805 006	8816 006	8806 006	8807 006	8808 006
Base	Part no.	3533 001	3533 001	3533 001	-	-	3533 001
Bracket	Part no.	3533 002	3533 002	3533 002	-	-	3533 002
Flange	Part no.	3533 003	3533 003	3533 003	-	-	3533 003
Foot lever	Part no.	0990 102	0990 102	0990 102	0990 102	0990 102	0990 102
Hand lever	Part no.	0990 103	0990 103	0990 103	0990 103	0990 103	0990 103
High-pressure hose ND 6 x 1600*	Part no.	9320 601 600	9320 601 600	9370 601 600	9320 601 600	9320 601 600	9320 601 600
Pressure gauge with 90°-elbow 0-250 bar	Part no.	9811 015	9811 015	-	9811 015	9811 015	-
Pressure gauge with 90°-elbow 0-600 bar	Part no.	-	-	9811 017	-	-	-
Hydraulic oil HLP 32, reservoir with 1l	Part no.	9895 001	9895 001	9895 001	9895 001	9895 001	-

* Further high-pressure hoses see data sheet WZ 11.3800

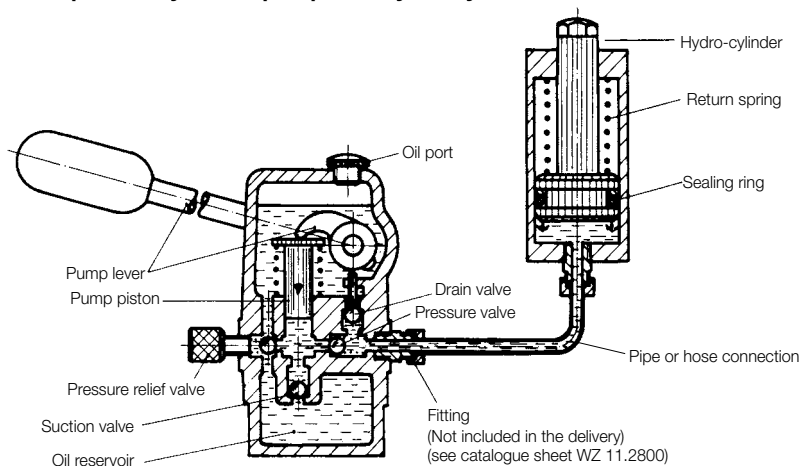


Hand lever
Part no. 0990 103



Foot lever
Part no. 0990 102

Principle of a hydraulic pump with hydro-cylinder



Hand pump, completely assembled

Hydraulic pump with hand lever and flange



Max. operating pressure [bar]	100	120	400
Displacement per stroke [cm ³]	8	8	2
Oil volume, usable [cm ³]	150	150	150
Hydraulic connection	G 1/4	G 1/4	G 1/4
Weight [kg]	7.3	7.3	7.3
Part no.	84550 0002	84550 8001	84550 0003