

Roller and Ball inserts, Mechanical with spring pack max. load 2.4 kN

Description

When preloaded, the rollers or balls project over the bed level by up to 3 mm. When the die is clamped, the balls are pressed into the bar body against the spring force until they are flush with the bed level.

Advantages

- Easy and safe die change
- For installation in beds/tables without T-slots
- Versions without and with flange

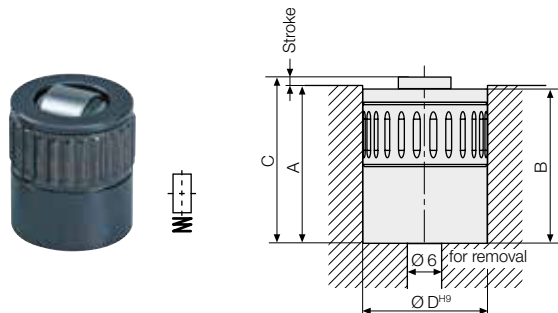
Application

For installation in individual bore holes in press beds without T-slots

Important note

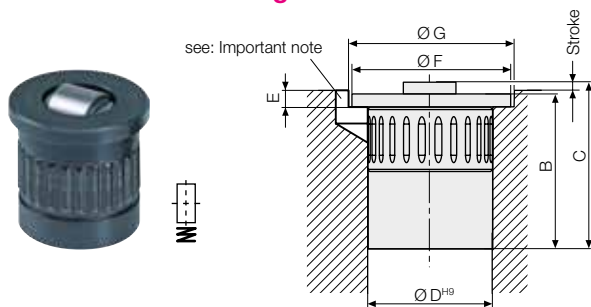
Provide a bore hole or notch for removal, if there is no through hole possible from below.

Roller insert without flange



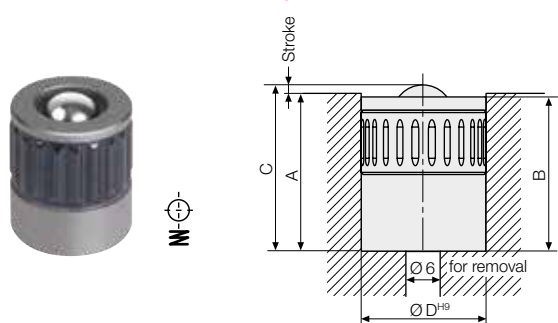
Load	[N]	600	900	1400	2400
Stroke*	[mm]	1.5	2.0	2.0	2.0
A	[mm]	30.0 +0.1	32.0 +0.1	43.5 +0.1	52.5 +0.1
B	[mm]	29.9	31.9	43.4	52.4
C	[mm]	31.5	34.0	45.5	54.5
Ø D	[mm]	20	24	30	40
Part no.		812100605	812100611	812100618	812100622

Roller insert with flange



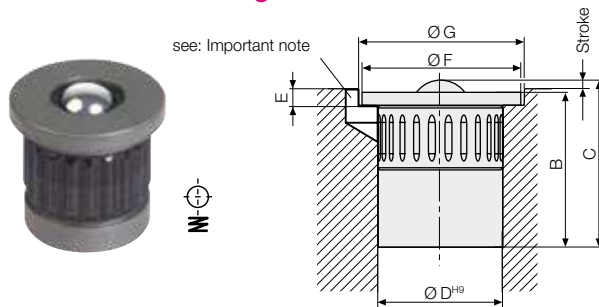
Load	[N]	600	900	1400	2400
Stroke*	[mm]	1.5	2.0	2.0	2.0
B	[mm]	29.9 +0.1	31.9 +0.1	43.4 +0.1	52.4 +0.1
C	[mm]	31.5	34.0	45.5	54.5
Ø D	[mm]	20	24	30	40
E	[mm]	3.5 +0.1	3.5 +0.1	4.5 +0.1	5.5 +0.1
Ø F	[mm]	24.5	29.5	34.5	47.5
Ø G	[mm]	25 +0.2	30 +0.2	35 +0.2	48 +0.2
Part no.		812100606	812100612	812100619	812100623

Ball insert without flange



Load	[N]	200	400	600	1000
Stroke*	[mm]	1.5	1.5	2.0	3.0
A	[mm]	24.0 +0.1	28.5 +0.1	34.0 +0.1	45.0 +0.1
B	[mm]	23.6	28.5	34.0	44.8
C	[mm]	25.5	30.0	36.0	48.0
Ø D	[mm]	20	24	30	40
Part no.		812100005	812100011	812100018	812100022

Ball insert with flange



Load	[N]	200	400	600	1000
Stroke*	[mm]	1.5	1.5	2.0	2.0
B	[mm]	23.5	28.5	34.0	44.0
C	[mm]	25.2	30.2	36.0	46.0
Ø D	[mm]	20	24	30	40
E	[mm]	3.5 +0.1	4.0 +0.1	4.5 +0.1	5.6 +0.1
Ø F	[mm]	24.5	29.5	34.5	47.5
Ø G	[mm]	25 +0.2	30 +0.2	35 +0.2	48 +0.2
Part no.		812100006	812100012	812100019	812100023

* Special stroke on request